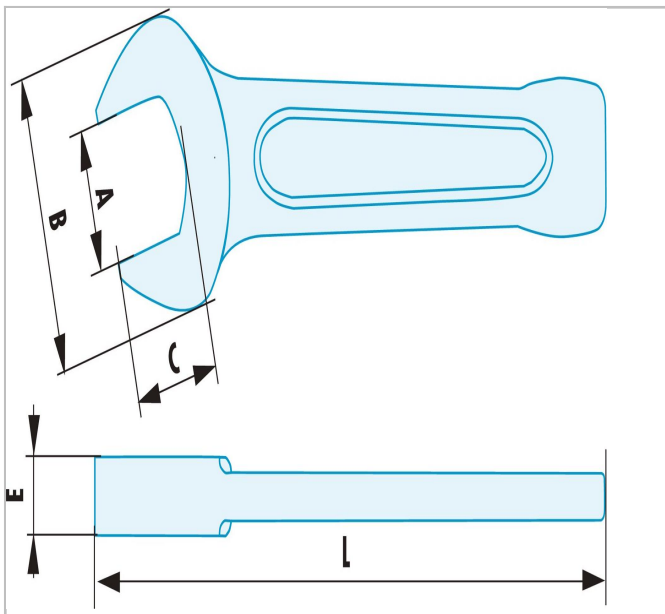



49.SR - Clés à fourche à frapper métriques ADF



Description :

- Alliage spécial Cuivre-Béryllium antidéflagrant et antimagnétique.



|  | A [mm] | longueur [mm] | Épaisseur [mm] | Tête la taille C [mm] | Tête Largeur B [mm] | Poids [g] |
|--|--------|---------------|----------------|-----------------------|---------------------|-----------|
| 49.17SR | 17.0 | 125.0 | 11.0 | 19.0 | 40.5 | 150.0 |
| 49.19SR | 19.0 | 125.0 | 11.0 | 19.0 | 40.5 | 150.0 |
| 49.22SR | 22.0 | 135.0 | 12.0 | 22.0 | 46.0 | 195.0 |
| 49.24SR | 24.0 | 150.0 | 12.0 | 24.0 | 50.0 | 245.0 |
| 49.27SR | 27.0 | 175.0 | 15.0 | 27.0 | 57.0 | 335.0 |
| 49.30SR | 30.0 | 190.0 | 16.0 | 30.0 | 64.0 | 435.0 |
| 49.32SR | 32.0 | 190.0 | 16.0 | 32.0 | 66.0 | 515.0 |
| 49.36SR | 36.0 | 210.0 | 18.0 | 36.0 | 75.0 | 725.0 |
| 49.41SR | 41.0 | 230.0 | 18.5 | 41.0 | 87.0 | 955.0 |
| 49.46SR | 46.0 | 250.0 | 20.0 | 46.0 | 98.0 | 1200.0 |
| 49.50SR | 50.0 | 275.0 | 20.5 | 50.0 | 108.0 | 1300.0 |
| 49.55SR | 55.0 | 305.0 | 23.0 | 55.0 | 117.0 | 1700.0 |
| 49.60SR | 60.0 | 315.0 | 23.5 | 60.0 | 128.0 | 2200.0 |
| 49.65SR | 65.0 | 335.0 | 27.5 | 65.0 | 141.0 | 2700.0 |
| 49.70SR | 70.0 | 370.0 | 28.5 | 70.0 | 156.0 | 3300.0 |
| 49.75SR | 75.0 | 375.0 | 29.0 | 75.0 | 162.0 | 3700.0 |
| 49.90SR | 90.0 | 445.0 | 36.0 | 90.0 | 194.0 | 6700.0 |