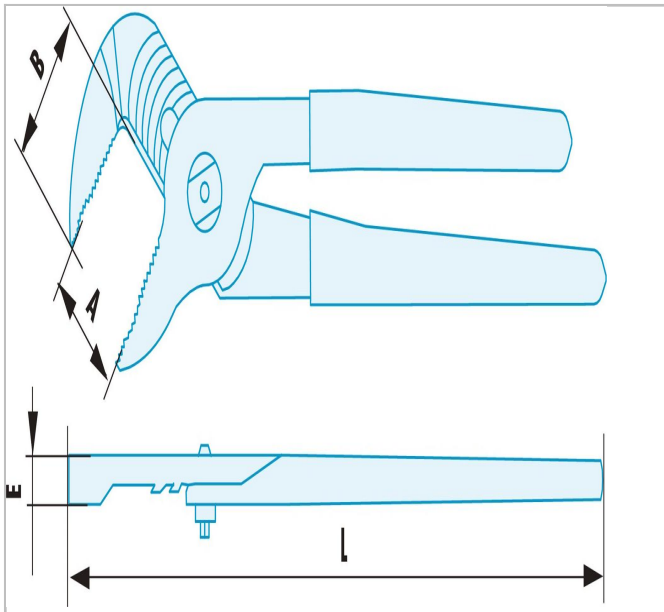



## 482.SR - Non sparking multigrip pliers



### Description:

- Special non sparking and anti-magnetic Copper-Beryllium alloy.
- For safety purposes, FACOM uses sheaths in overmoulded antistatic pvc to prevent any risk of sparks.



	A [mm]	Length L [mm]	Thickness E [mm]	Head Width B [mm]	Weight [g]
<b>482.15SR</b>	25.0	150.0	8.0	26.0	150.0
<b>482.25SR</b>	45.0	250.0	10.0	36.0	455.0
<b>482.30SR</b>	55.0	300.0	11.0	38.0	745.0