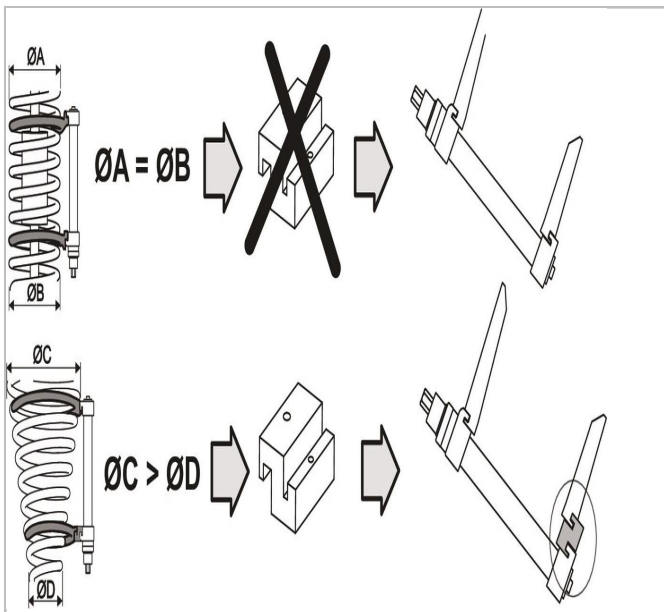


EXPERT Spring compressor set



Description:

- 3 pairs of legs with interchangeable plastic protection to prevent damaging spring paint.
- Body length: 453 mm.
- Compression travel: 3 mm.
- Maximum power: 12 N (about 1 ton).
- 6-point 24 mm drive.
- Supplied with adaptation accessories for tapered spring.
- Supplied in a plastic case with instructions.



	Weight [Kg]
E201001	14.3