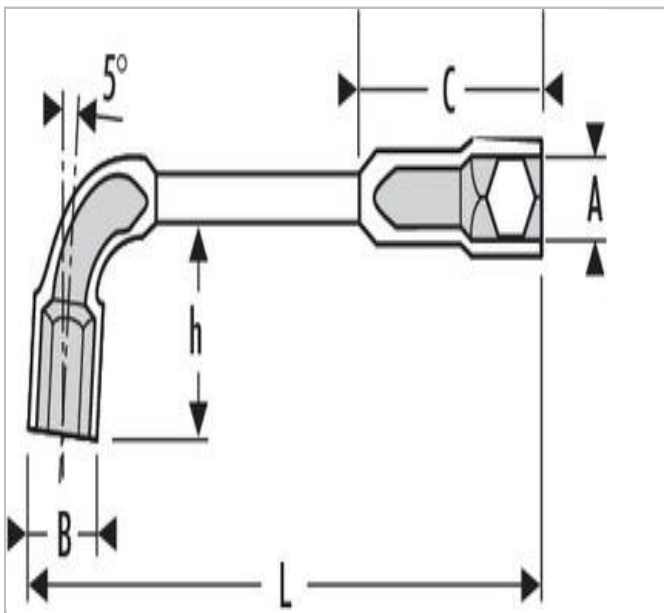



EXPERT Angled socket wrenches 12-point x 6-point - Metric



Description:

- ISO 691
- ISO 2236
- The specific angle offers increased torque application.
- The opening allows a threaded rod to be passed through for nuts on a long thread and also enables the use of a bar to increase torque application.
- The deep punch in the heads allows for tightening even when the threaded rod protrudes.
- Forged in Chrome Vanadium steel.
- High chrome finish.



|  | A [mm] | Head Width B [mm] | Head Height C [mm] | Height H [mm] | Length L [mm] | Weight [Kg] |
|--|--------|-------------------|--------------------|---------------|---------------|-------------|
| E113370 | 8 | 12.5 | 27.0 | 19.0 | 114.0 | 0.055 |
| E113371 | 9 | 13.5 | 28.0 | 20.0 | 122.0 | 0.075 |
| E113372 | 10 | 15.0 | 30.0 | 23.0 | 129.0 | 0.09 |
| E113373 | 11 | | | | | |
| E113374 | 12 | 18.0 | 38.0 | 28.0 | 144.0 | 0.15 |
| E113375 | 13 | | | | | |
| E113376 | 14 | 21.0 | 42.0 | 32.0 | | 0.2 |
| E113377 | 15 | 22.5 | 44.0 | 34.0 | 169.0 | 0.22 |
| E113378 | 16 | 24.0 | 49.0 | 37.0 | 178.0 | 0.27 |
| E113379 | 17 | 25.5 | 51.0 | 39.0 | 187.0 | 0.31 |
| E113380 | 18 | 26.5 | 53.0 | 40.0 | 195.0 | 0.33 |
| E113381 | 19 | 28.5 | 54.0 | 41.0 | 204.0 | 0.41 |
| E113382 | 20 | 29.5 | 56.0 | 43.0 | 212.0 | 0.465 |
| E113383 | 21 | 30.5 | 58.0 | 46.0 | 221.0 | 0.49 |
| E113384 | 22 | 32.0 | 60.0 | 48.0 | 230.0 | 0.525 |
| E113385 | 23 | 33.5 | 67.0 | 51.0 | 240.0 | 0.64 |
| E113386 | 24 | 34.5 | 70.0 | 54.0 | 250.0 | 0.64 |
| E113388 | 27 | 38.0 | 77.0 | 58.0 | 280.0 | 0.96 |
| E113389 | 30 | 42.0 | 87.0 | 64.0 | 310.0 | 1.25 |
| E113390 | 32 | 44.5 | 92.0 | 74.0 | 330.0 | 1.425 |
| E113458 | 6 | 10.0 | 23.0 | 15.0 | 102.0 | 0.03 |
| E113459 | 7 | 11.0 | 24.0 | 17.0 | 106.0 | 0.04 |