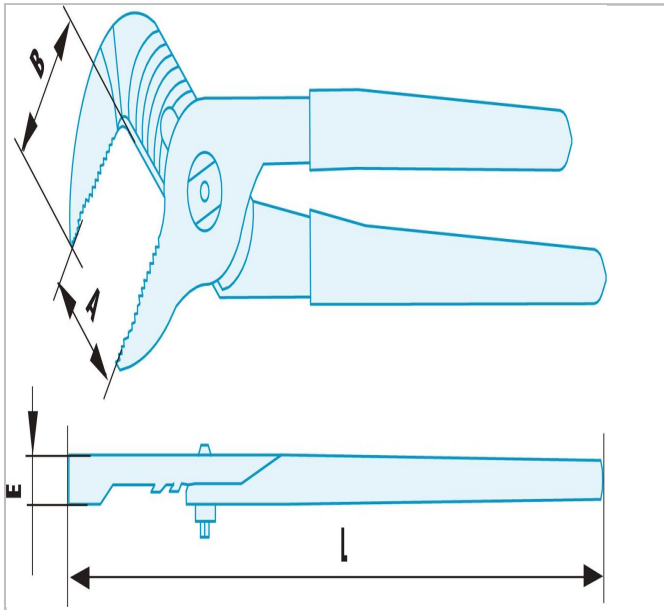



## 482.15SR | 482.SR - Non sparking multigrip pliers



### Description:

- Special non sparking and anti-magnetic Copper-Beryllium alloy.
- For safety purposes, FACOM uses sheaths in overmoulded antistatic pvc to prevent any risk of sparks.



 482.15SR	
A [mm]	25.0
Length L [mm]	150.0
Thickness E [mm]	8.0
Head Width B [mm]	26.0
Weight [g]	150.0