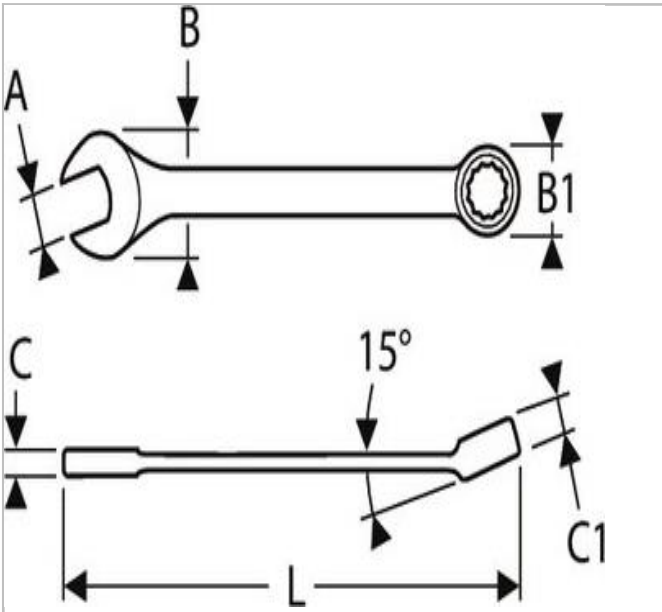


## E110103 | EXPERT Combination wrenches - Metric



### Description:

- ISO 691
- ISO 1711-1
- ISO 3318
- ISO 7738
- DIN 3113
- 12-point OGV® ring angled at 15°.
- Open end angled at 15° from handle axis.
- OGV® profile maximizing the contact surface with the nut for a longer lifetime.
- Forged in Chrome Vanadium steel.
- High chrome finish.



	<b>E110103</b>
A [mm]	38
Length L [mm]	430.0
Thickness E1 [mm]	14.5
Thickness E2 [mm]	19.0
Head Width B [mm]	76.0
Head Width B1 [mm]	56.5
Weight [Kg]	0.965
Head Height C [mm]	14,5
Head Height C1 [mm]	19.0